

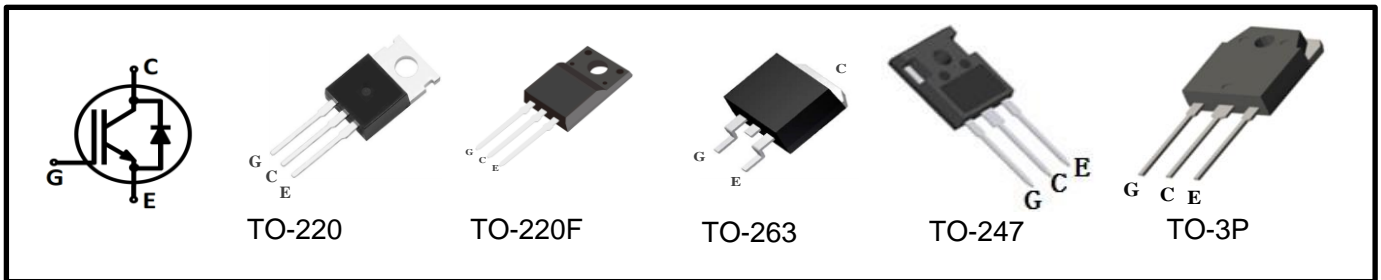
## Features

- Easy parallel switching capability due to positive temperature coefficient in  $V_{CEsat}$
- Low  $V_{CEsat}$ , fast switching
- High ruggedness, good thermal stability
- Very tight parameter distribution

## Applications

- Motor Drives

Type	Marking	Package Code
MPBP20N65EF	MP20N65EF	TO-220
MPBA20N65EF	MP20N65EF	TO-220F
MPBC20N65EF	MP20N65EF	TO-263
MPBW20N65EF	MP20N65EF	TO-247
MPBT20N65EF	MP20N65EF	TO-3P



## Maximum Rated Values <sup>1</sup>

Parameter	Symbol	Value				Unit
		220F	263/ 220	247	3P	
Collector-emitter voltage	$V_{CE}$	650				V
DC collector current <sup>2</sup>	$I_C$	40				A
$T_C=25^\circ\text{C}$						
$T_C=100^\circ\text{C}$						
Pulsed collector current <sup>3</sup>						
Diode forward current <sup>2</sup>	$I_F$	40				A
$T_C=25^\circ\text{C}$						
$T_C=100^\circ\text{C}$						
Diode pulsed current <sup>3</sup>						
Short circuit withstanding time $V_{GE} = 15\text{V}, V_{CC} \leq 400\text{V}, T_J \leq 150^\circ\text{C}$	$t_{SC}$	5				us
Gate-emitter voltage	$V_{GE}$	$\pm 20$				V
Transient Gate-emitter voltage ( $t_p \leq 10\mu\text{s}$ )		$\pm 30$				

1:Reference standard: JEESD-022 2: limited by  $T_{jmax}$  3:  $T_p$  limited by  $T_{jmax}$  ;



Parameter	Symbol	Value				Unit
		220F	263/ 220	247	3P	
Power dissipation						W
$T_C=25^\circ\text{C}$	$P_{\text{tot}}$	55	214	166	166	
Operating junction temperature	$T_j$	-55~175				°C
Storage temperature	$T_{\text{stg}}$	-55~150				

### Thermal Characteristics

Parameter	Symbol	Max				Unit
		220F	263/220	247	3P	
IGBT thermal resistance, junction-case	$R_{\text{thJC}}$	2.7	0.7	0.9	0.9	K/W
Diode thermal resistance, junction-case	$R_{\text{thJCD}}$	3.8	1.6	1.9	1.9	

### Electrical Characteristics (at $T_j=25^\circ\text{C}$ , unless otherwise specified)

#### Static Characteristics

Parameter	Symbol	Conditions	Min	Typ	Max	Unit
Collector-emitter breakdown voltage	$V_{(\text{BR})\text{CES}}$	$V_{\text{GE}}=0\text{V}$ , $I_C=0.25\text{mA}$	650	-	-	V
Collector-emitter saturation voltage	$V_{\text{CE}(\text{sat})}$	$V_{\text{GE}}=15\text{V}$ , $I_C=20\text{A}$ $T_j=25^\circ\text{C}$	-	1.45	1.90	
		$T_j=125^\circ\text{C}$	-	1.53	-	
		$T_j=150^\circ\text{C}$	-	1.55	-	
Diode forward voltage	$V_F$	$V_{\text{GE}}=0\text{V}$ , $I_F=20\text{A}$ $T_j=25^\circ\text{C}$	-	1.55	1.80	
		$T_j=125^\circ\text{C}$	-	1.44	-	
		$T_j=150^\circ\text{C}$	-	1.40	-	
G-E threshold voltage	$V_{\text{GE}(\text{th})}$	$I_C=250\mu\text{A}$ , $V_{\text{CE}}=V_{\text{GE}}$	4.5	5.8	6.5	mA
C-E leakage current	$I_{\text{CES}}$	$V_{\text{CE}}=650\text{V}$ , $V_{\text{GE}}=0\text{V}$ $T_j=25^\circ\text{C}$	-	-	0.01	
		$T_j=150^\circ\text{C}$	-	-	1.0	
G-E leakage current	$I_{\text{GES}}$	$V_{\text{CE}}=0\text{V}$ , $V_{\text{GE}}=20\text{V}$	-	-	250	nA

## Dynamic Characteristics

Parameter	Symbol	Conditions	Min	Typ	Max	Unit
Input capacitance	$C_{iss}$	$V_{CE}=25V,$ $V_{GE}=0V,$ $f=1MHz$	-	2091	-	pF
Output capacitance	$C_{oss}$		-	69	-	
Reverse transfer capacitance	$C_{rss}$		-	32	-	
Gate charge	$Q_G$	$V_{CC}=300V, I_C=20A,$ $V_{GE}=15V$	-	113	-	nC

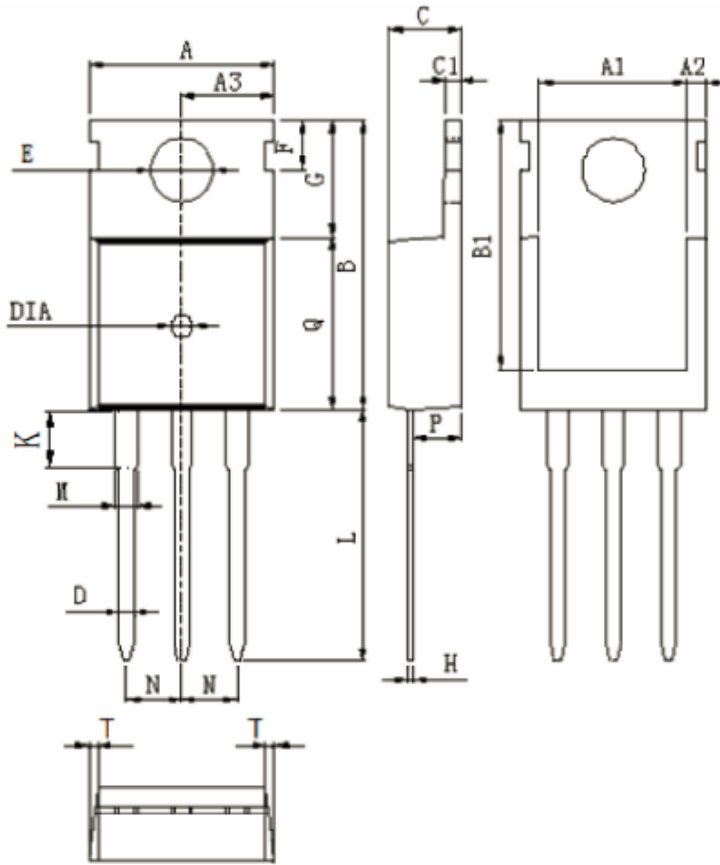
## IGBT Switching Characteristics

Parameter	Symbol	Conditions	Min	Typ	Max	Unit
Turn-on delay time	$t_{d(on)}$	$T_j=25^\circ C,$ $V_{CC}=400V,$ $I_C=20A,$ $V_{GE}=0/15V,$ $R_G=10\Omega,$ Inductive load	-	79	-	ns
Rise time	$t_r$		-	39	-	
Turn-off delay time	$t_{d(off)}$		-	155	-	
Fall time	$t_f$		-	52	-	
Turn-on energy	$E_{on}$		-	0.373	-	mJ
Turn-off energy	$E_{off}$		-	0.376	-	
Total switching energy	$E_{ts}$		-	0.749	-	

## Diode Characteristics

Parameter	Symbol	Conditions	Min	Typ	Max	Unit
Diode reverse recovery time	$t_{rr}$	$T_j=25^\circ C,$ $V_R=400V,$ $I_F=20A,$ $di_F/dt=520A/\mu s$	-	74	-	ns
Diode reverse recovery charge	$Q_{rr}$		-	0.389	-	$\mu C$
Diode peak reverse recovery current	$I_{rrm}$		-	7.8	-	A

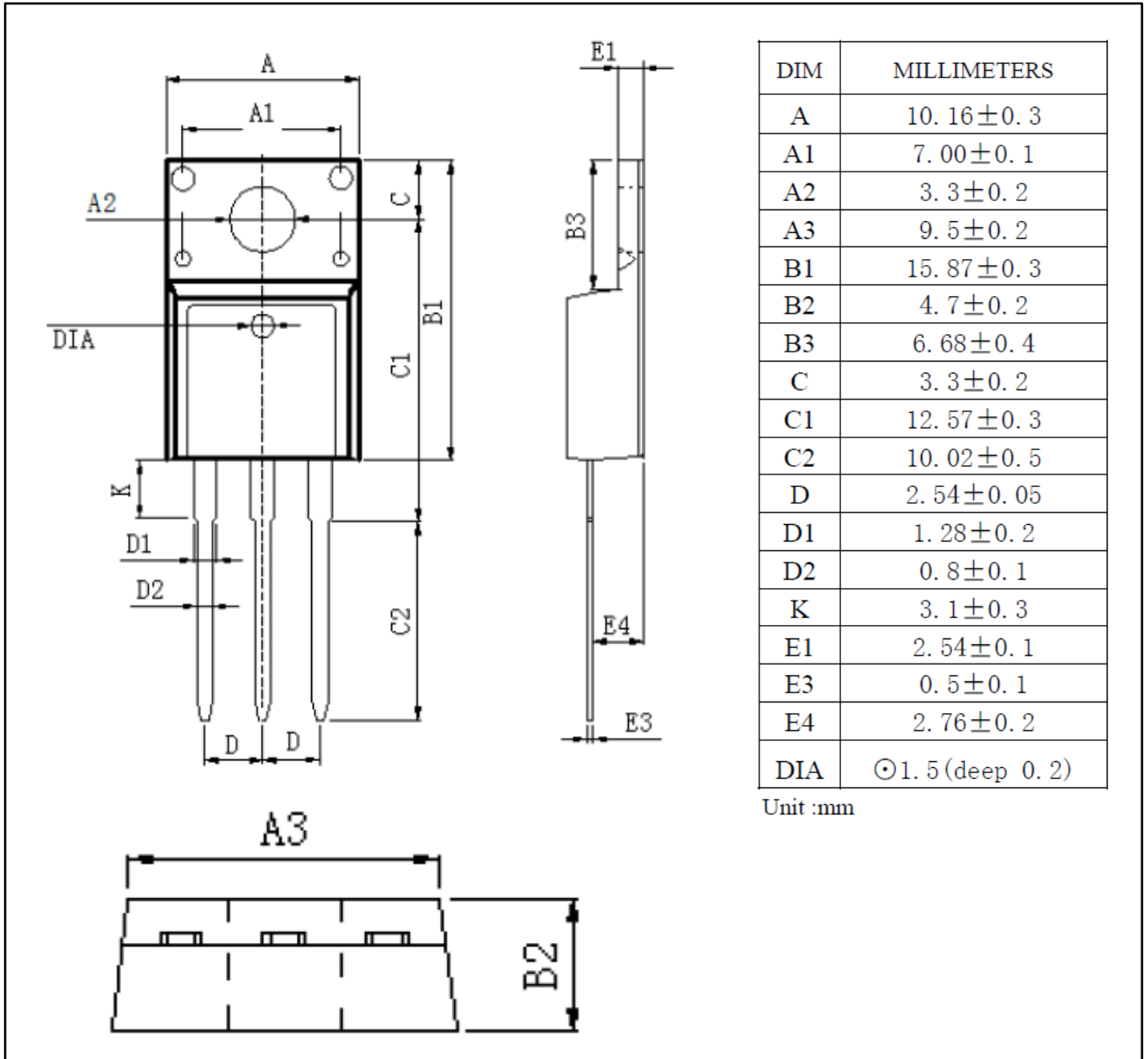
TO-220-3L



DIM	MILLIMETERS
A	10.0±0.3
A1	8.64±0.2
A2	1.15±0.1
A3	5.0±0.2
B	15.8±0.4
B1	13.2±0.3
C	4.56±0.1
C1	1.3±0.2
D	0.8±0.2
E	3.6±0.2
F	2.95±0.3
G	6.5±0.3
H	0.5±0.1
K	3.1±0.2
L	13.2±0.4
M	1.25±0.1
N	2.54±0.1
P	2.4±0.3
Q	9.0±0.3
T	W:0.35
DIA	⊙1.5 (deep 0.2)

Unit :mm

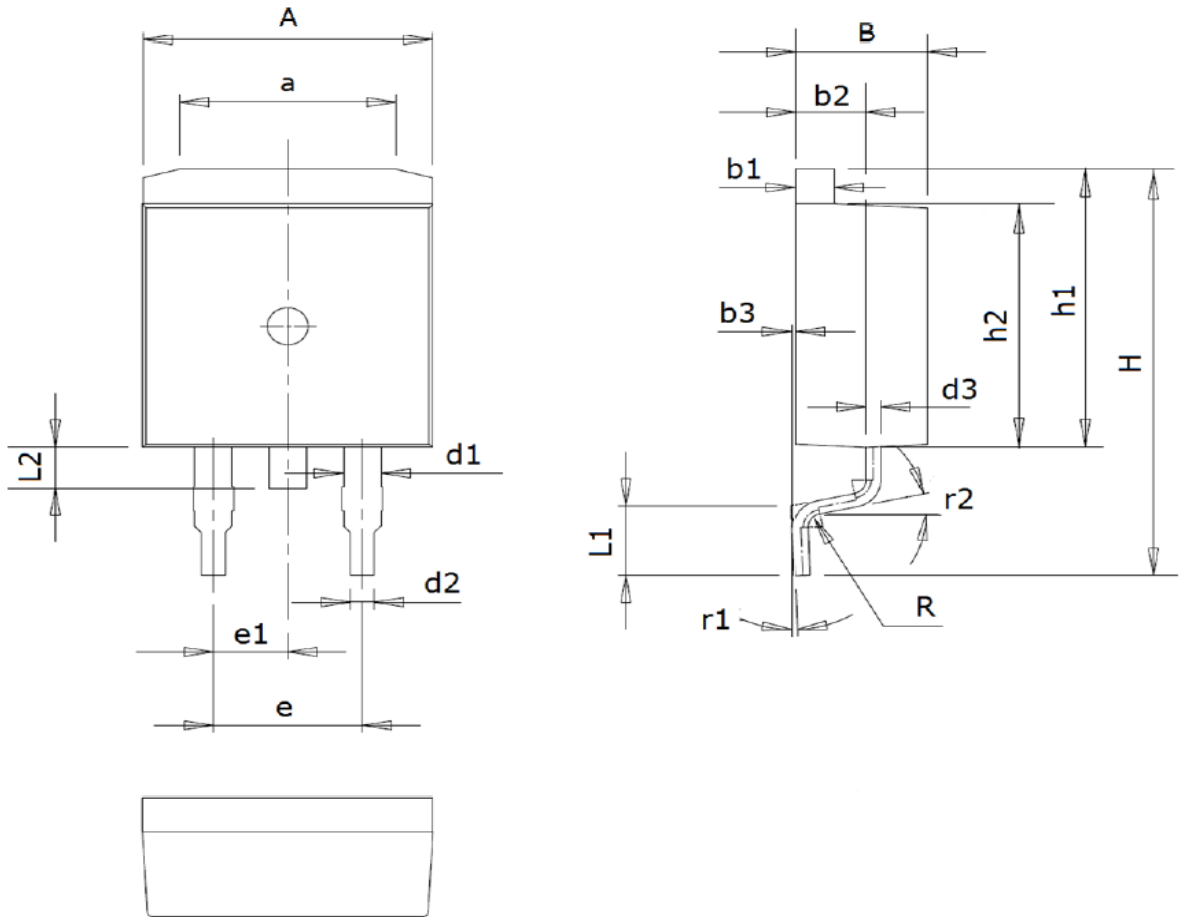
TO-220F-3L



DIM	MILLIMETERS
A	10.16±0.3
A1	7.00±0.1
A2	3.3±0.2
A3	9.5±0.2
B1	15.87±0.3
B2	4.7±0.2
B3	6.68±0.4
C	3.3±0.2
C1	12.57±0.3
C2	10.02±0.5
D	2.54±0.05
D1	1.28±0.2
D2	0.8±0.1
K	3.1±0.3
E1	2.54±0.1
E3	0.5±0.1
E4	2.76±0.2
DIA	⊙1.5 (deep 0.2)

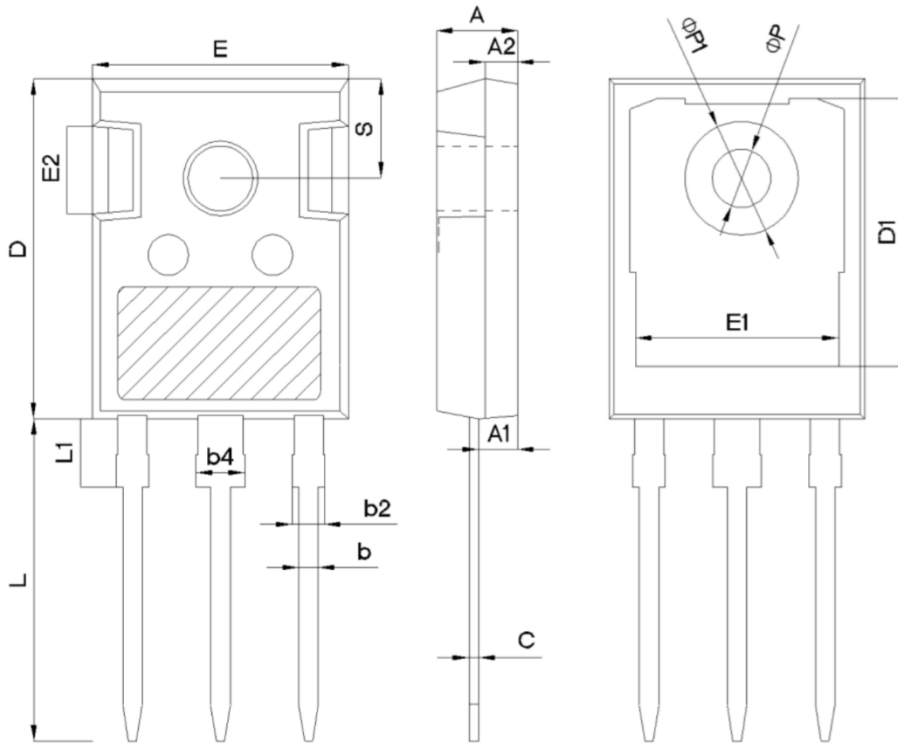
Unit :mm

TO-263



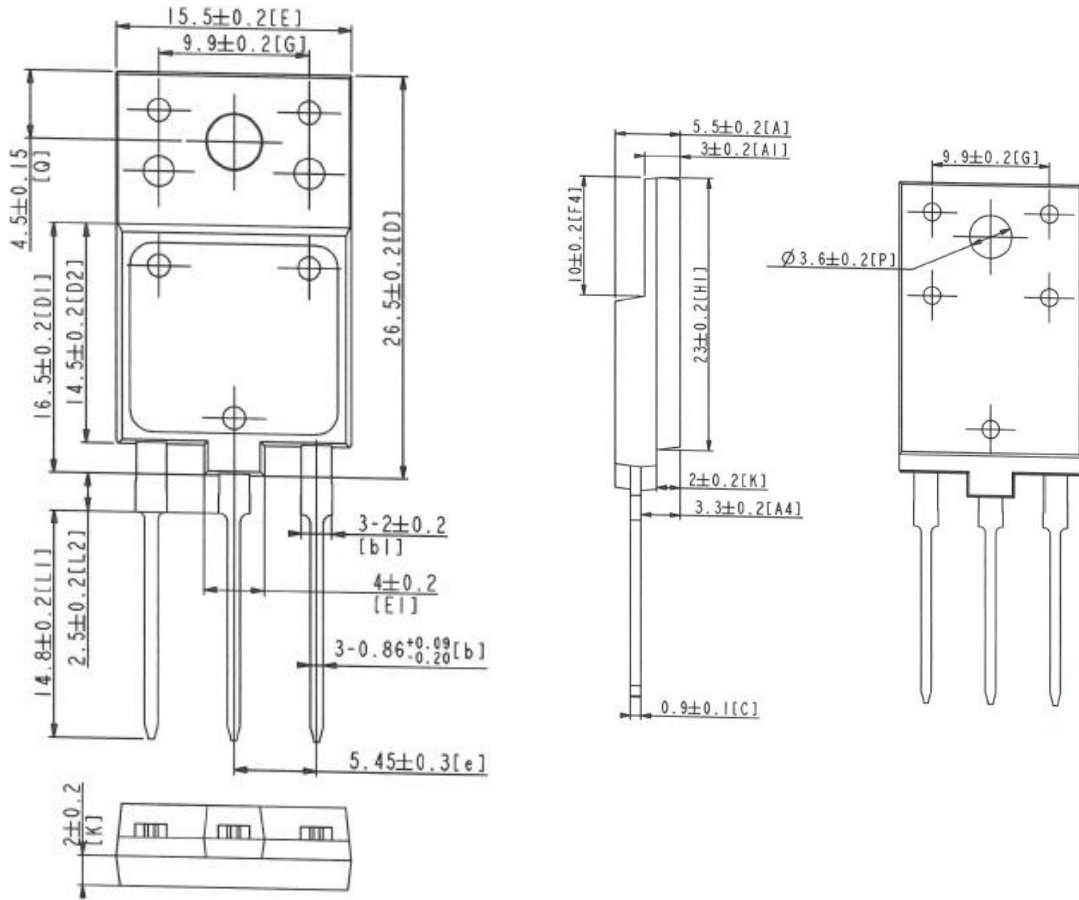
Symbol	Dimensions (mm)	Symbol	Dimensions (mm)	Symbol	Dimensions (mm)
A	9.86~10.26	d2	0.7~0.96	L1	2.0~2.6
a	7.0~7.8	d3	0.3~0.53	L2	1.3~1.8
B	4.37~4.77	e	5.08	R	0.5
b1	1.22~1.42	e1	2.54	r1	0-9°
b2	2.2~2.6	H	14.7~15.5	r2	12°
b3	0~0.25	h1	10.3~10.7		
d1	1.17~1.47	h2	9.1~9.4		

TO-247-3L



SYMBOL	mm		
	MIN	NOM	MAX
A	4.80	5.00	5.20
A1	2.21	2.41	2.61
A2	1.85	2.00	2.15
b	1.11	1.21	1.36
b2	1.91	2.01	2.21
b4	2.91	3.01	3.21
c	0.51	0.61	0.75
D	20.70	21.00	21.30
D1	16.25	16.55	16.85
E	15.50	15.80	16.10
E1	13.00	13.30	13.60
E2	4.80	5.00	5.20
E3	2.30	2.50	2.70
e	5.44BSC		
L	19.62	19.92	20.22
L1	-	-	4.30
ΦP	3.40	3.60	3.80
ΦP1	-	-	7.30
S	6.15BSC		

TO-3P



SYMBOL	mm		
	MIN	NOM	MAX
A	5.3	5.5	5.7
A1	2.8	3.0	3.2
b	0.66	0.86	0.95
b1	1.8	2.0	2.2
A4	3.1	3.3	3.5
C	0.8	0.9	1
D	26.3	26.5	26.7
D1	16.3	16.5	16.7
D2	14.3	14.5	14.7
P	3.4	3.6	3.8
E	15.3	15.5	15.7
E1	3.8	4.0	4.2
e	5.15	5.45	5.75
G	9.7	9.9	10.1
Q	4.35	4.5	4.65
L1	14.6	14.8	15
L2	2.3	2.5	2.7
K	1.8	2	2.2
F4	9.8	10	10.2
H1	22.8	23	23.2
K	1.8	2	2.2





**Revision History:**

Revision	Date	Subjects (major changes since last revision)
1.0	2022-03	Initial version



## Terms & Conditions of usage

1. The product specifications, characteristics, data, materials and structures given in this datasheet are subject to change without notice.
2. The information given in this datasheet shall in no event be regarded as a guarantee of conditions or characteristics. Marching-Power Technology Co., Ltd. does not warrant or assume any legal liability or responsibility for the accuracy and completeness of any examples, hints or any typical values stated herein and/or any information regarding the application of the product.
3. This datasheet is only used as a reference for customers to apply our products, Marching-Power Technology Co., Ltd. does not undertake to permit the use of intellectual property rights or any third-party property rights related to the product information described in this datasheet.
4. Although Marching-Power Technology Co., Ltd. is committed to enhancing product quality and reliability, all semiconductor products still have a probability of failure. When using Marching-Power semiconductor products in your equipment, you are requested to take adequate safety measures to prevent the equipment from causing accidents or events including but not limited to physical injury, fire or damage to other property if any of the products become faulty.
5. The products introduced in this datasheet are electrostatic sensitive devices and must be protected against static electricity during device installation, testing, packaging, storage and transportation.
6. Do not use the products introduced in this datasheet in equipment or systems that requiring strict reliability or/and may directly endanger human life such as medical, life-saving, life-sustaining, space equipment, aeronautic equipment, nuclear equipment submarine repeater equipment and equivalents to strategic equipment (without limitation).
7. No part of this datasheet may be disseminated and reproduced in any form or by any means without prior written permission from Marching-Power Technology Co., Ltd.
8. The data contained in this datasheet is exclusively intended for use by professional technicians only. It is the responsibility of the customer's own technical departments to evaluate the suitability of the product for the intended application and the completeness of the product information given in this document with respect to corresponding application. If you have any question about any portion in this datasheet, contact Marching-Power Technology Co., Ltd. before using the product. Marching-Power Technology Co., Ltd. shall not be liable for any injury caused by any use of the products not in accordance with instructions set forth herein.